

# COMPACT POWER MANAGEMENT UNIT II



The Compact Power Management Unit II (CPMU II) from EdeyFX is a power management solution designed for use in integrating electronic systems into vehicle platforms.

The unit provides power smoothing from platform source and isolation of the electronics installation from vehicle OEM electrical system.

The unit provides sufficient power to allow immediate action drills to be conducted if vehicle power is interrupted. In 12V configuration the CPMU II is designed to provide 15 minutes of standby power at 12VDC 100 amps sustained draw.

Standard availability of 8 weeks ARO; expedited service available.

## Features & Operation

- Configurable to 12V or 24V platforms
- Upper control box can be mounted separately from lower battery box in situations where space or access is limited.
- 150A resettable breaker on both input and output of CPMU
- Manual ON/OFF switch on both input and output
- Optional remote ON/OFF switch when additional relay added
- All power cables are copper multiple strand 2 AWG
- Battery charging starts at 13.6V input in 12V configuration, 27.2V input in 24V configuration
- Battery charging stops at 12.75V input in 12V configuration, 25.5V input in 24V configuration
- Battery charging over-voltage protection at 16V input in 12V configuration, 32V input in 24V configuration
- For optimum performance, two Odyssey PC 1200MJT or Hawker MILPC 1200 batteries are recommended (unit shipped without batteries as standard)

## Physical Specifications

Overall Dimensions:

17.0" x 8.6" x 13.0" (410 mm x 235 mm x 260 mm)

Controller Box Dimensions:

16.2" x 8.5" x 3.65" (411 mm x 215.5 mm x 93 mm)

Battery Box Dimensions:

16.375" x 8.6" x 9.35" (416 mm x 218 mm x 237 mm)

Weight:

25.0 lbs (11.4 kg) without batteries, 101.4 lbs (46.0 kg) with batteries

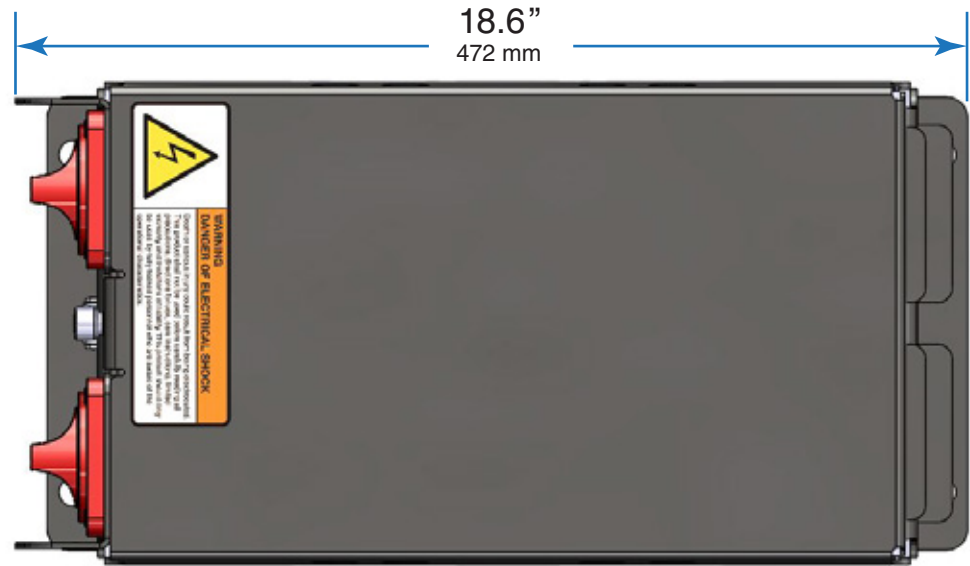
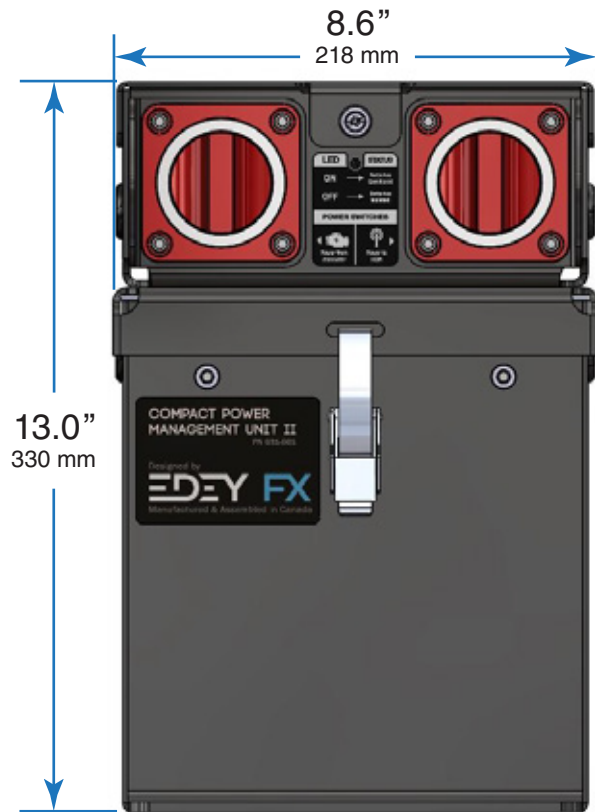
# CPMU II Overall Dimensions

Length: 18.6" (472 mm)

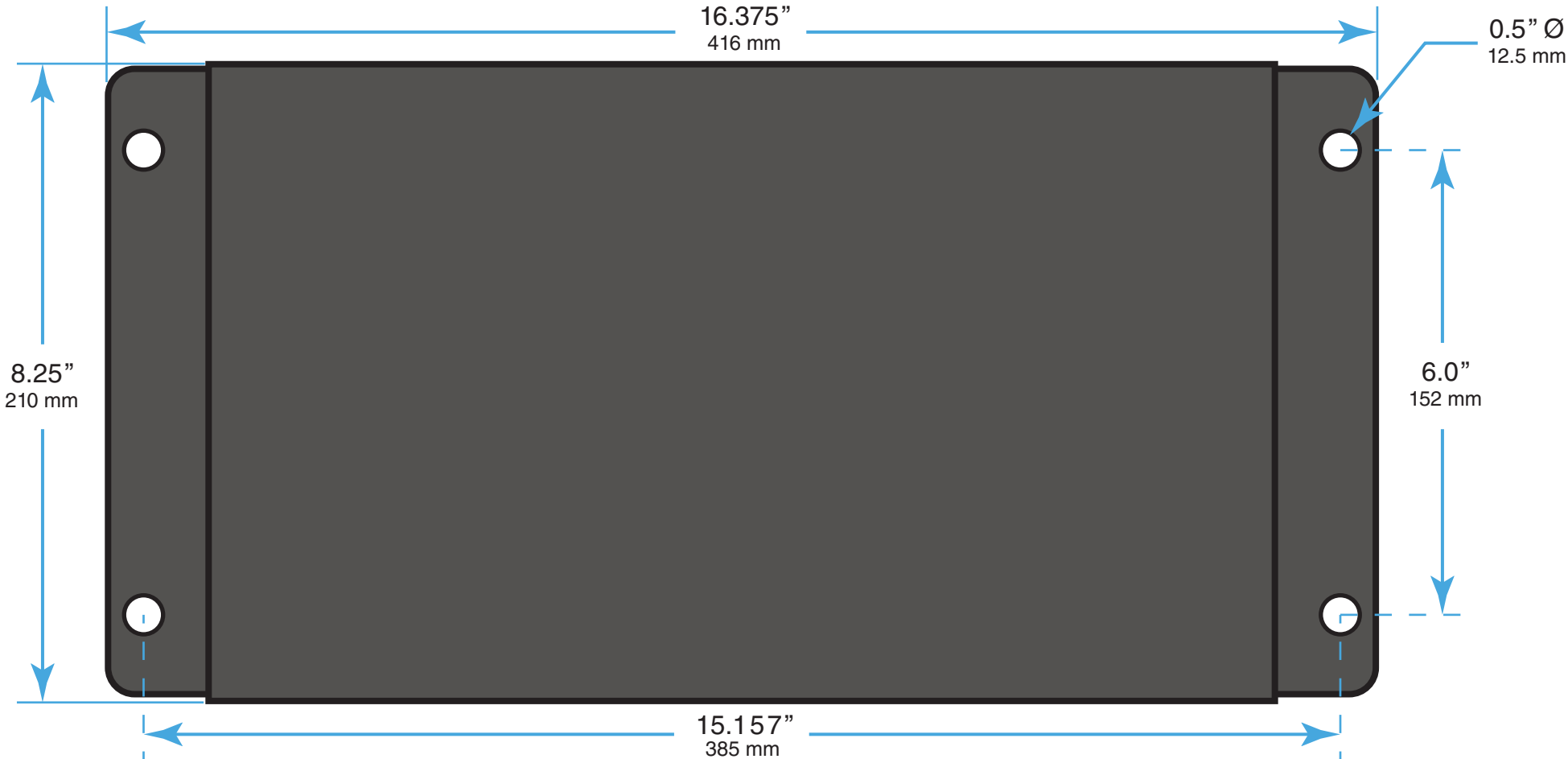
Width: 8.6" (218 mm)

Height: 13.0" (330 mm)

\*Note: Allow for an additional 2" in width dimension for cables exiting from the side of unit.\*



# CPMU II Footprint and Bolt Pattern Dimensions

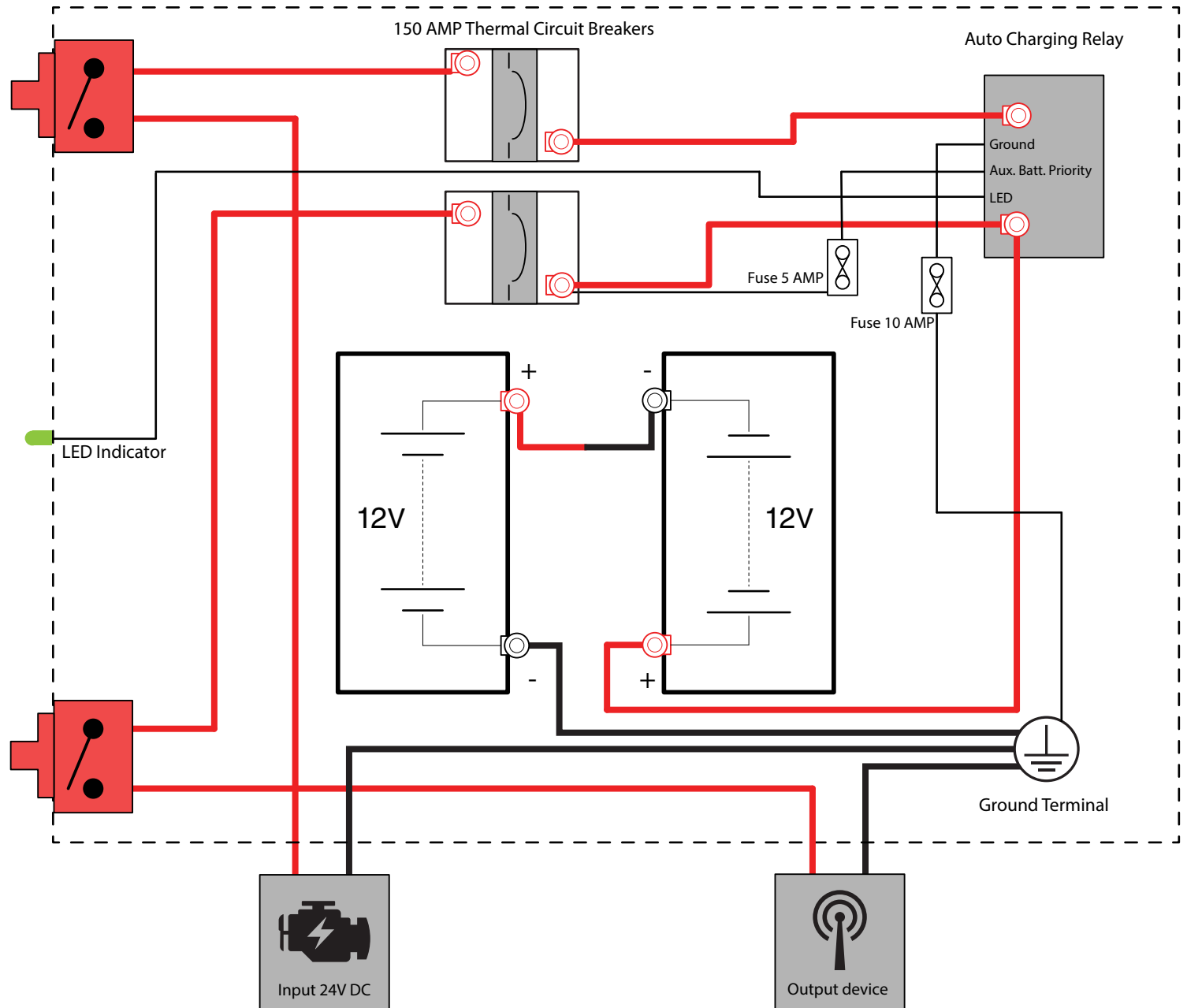


# Wiring Diagram 24 Volt Configuration

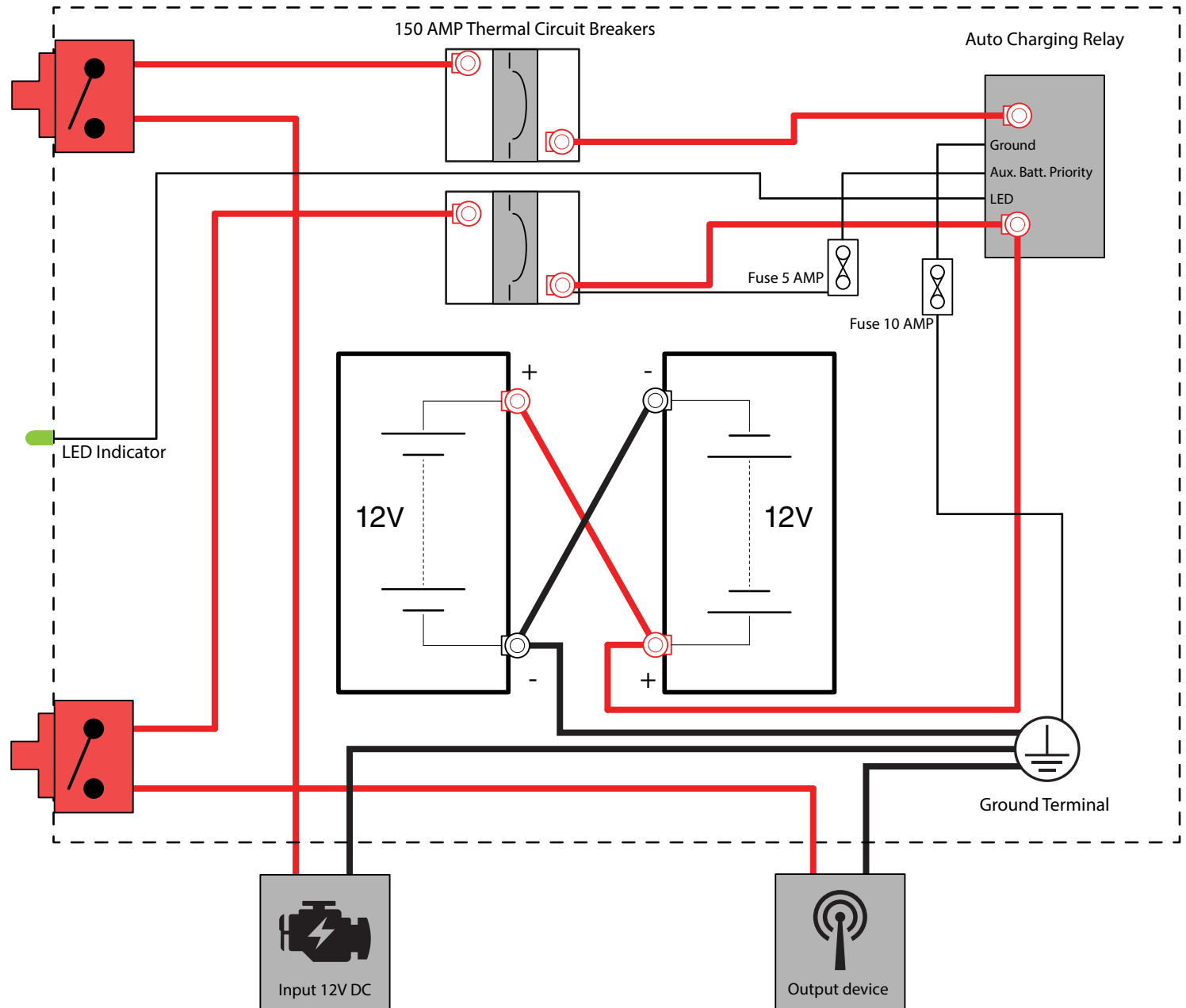
### Recommended Battery Specifications:

(Odyssey PC1200MJT or Hawker MILPC1200)

- Voltage: 12V
- Battery Capacity: 42Ah
- Dimensions L x W x H:  
7.87" x 6.66" x 7.60"  
199.9 x 169.1 x 172.7 mm
- Weight 38.2 lbs (17.4 kg)



# Wiring Diagram 12 Volt Configuration



## Recommended Battery Specifications:

(Odyssey PC1200MJT or Hawker MILPC1200)

- Voltage: 12V
- Battery Capacity: 42Ah
- Dimensions L x W x H:  
7.87" x 6.66" x 7.60"  
199.9 x 169.1 x 172.7 mm
- Weight 38.2 lbs (17.4 kg)